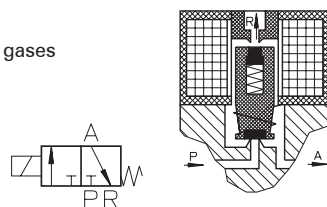


### Type EA 303

3-way solenoid valve  
direct actuated, NC  
(normally closed)



**Application**  
Neutral liquids, gases  
and vapors



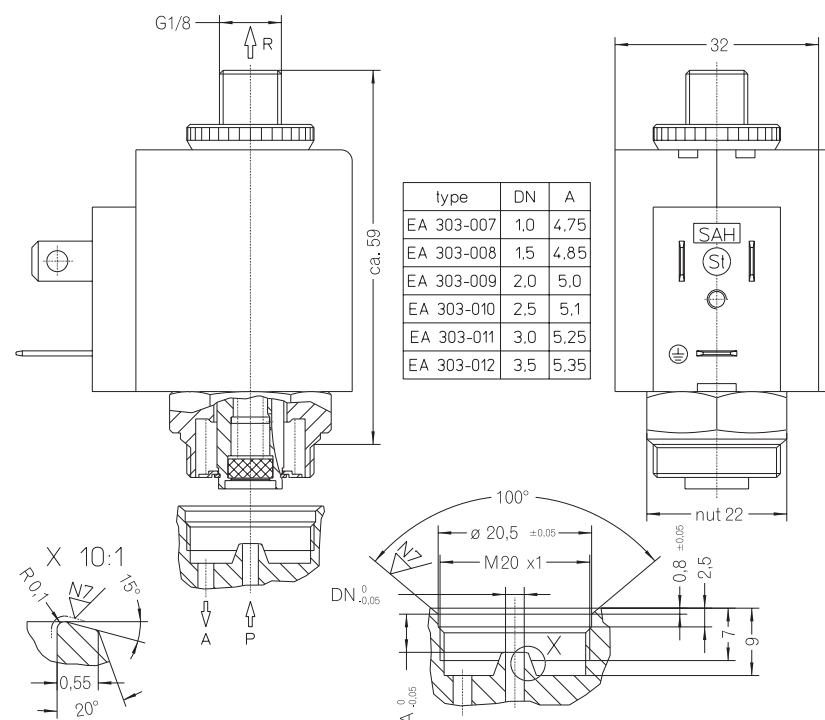
Type/ Order No.	Orifice [mm]	Port size	Pressure range [bar]		kv-value [m³/h]	Weight [kg]
			AC	DC		
EA 303-007	1,0	M 20 x 1	0 - 16	0 - 16	-	0,230
EA 303-008	1,5	M 20 x 1	0 - 12	0 - 12	-	0,230
EA 303-009	2,0	M 20 x 1	0 - 10	0 - 10	-	0,230
EA 303-010	2,5	M 20 x 1	0 - 6	0 - 6	-	0,230
EA 303-011	3,0	M 20 x 1	0 - 4	0 - 4	-	0,230
EA 303-012	3,5	M 20 x 1	0 - 3	0 - 3	-	0,230

Sealing material: **P** (NBR) **E** (EPDM) **V** (FPM)

Inner parts: Stainless steel (1.4105)  
 Mounting direction: Free, preferred upwards  
 Max. ambient temp.: 50 °C  
 Viscosity of the medium: max. 21 mm²/s (3 °E)  
 Static pressure: max. 30 bar  
 Standard voltage: DC: 24 V, 12 V  
 AC: 230 V, 115 V, 42 V,  
 24 V, 12 V (50 or 60 Hz)

Power consumption: 15 VA / 11 W  
 Voltage tolerance: -15 %... +10 %  
 Duty cycle: 100 %  
 Operating frequency: max. 360/min  
 Degree of Protection: IP 54 (EN 60529)  
 Plunger guide tube: Brass

Other configurations upon request



type	DN	A
EA 303-007	1,0	4,75
EA 303-008	1,5	4,85
EA 303-009	2,0	5,0
EA 303-010	2,5	5,1
EA 303-011	3,0	5,25
EA 303-012	3,5	5,35

The right to modification is reserved

Dimensions in mm